

DISAB Engineered Vacuum Systems



The PES 101 unit shall always be connected to a filter separator to complete a vacuum system

Vacuum Unit PES-101

The PES-101 Vacuum units meet the high demands from the industry due to its efficiency, reliability, ease of operation and maintenance giving excellent value for money.

The PES-101 units are a series of free standing vacuum units, to be used in conjunction with any type of filter separator. PES-101 creates the vacuum and air volume needed for conveyance of bulk material or vacuum cleaning operation.

- Electrically powered vacuum pump of Roots type
- Designed for high vacuum systems (50%)
- As standard equipped with safety filter
- Temperature control and safety valve
- Rigid steel construction and insulated housing
- Complete electrical panel for start/stop and controls
- Low noise operation

OPERATION

All PES-101 units are designed for, and shall always be used together with a filter separator. Vacuumed material shall not reach the PES unit but be collected and filtered in suitable model of filter separator, depending on material to be transported. The benefit of this separate vacuum unit is, that it can be used in conjunction with any type of filter separator. Connection to filter separator is made through a flexible hose or a fixed steel pipe.

The unit is delivered with an electrical panel comprising all controls for start/stop and operation of the unit, as well as controls for selected filter separator, i.e. filter cleaning, discharging, etc.

WHY PES-101

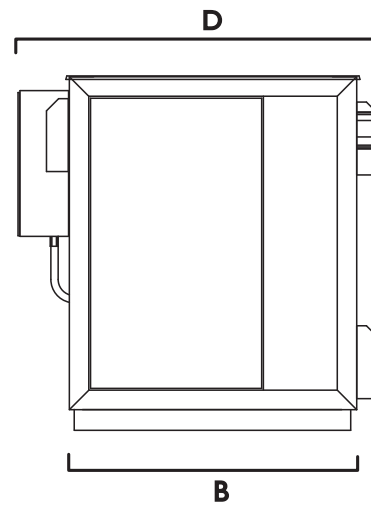
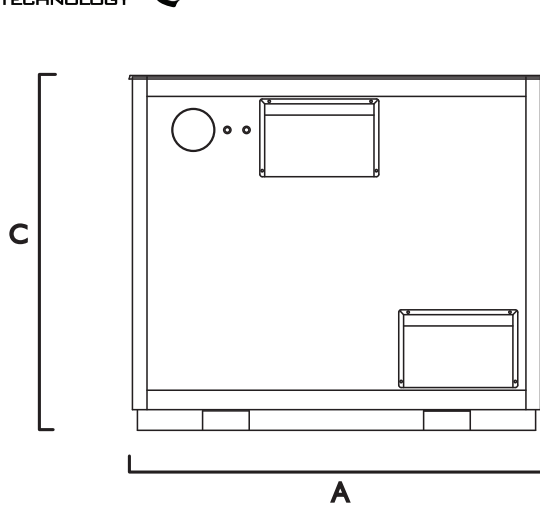
Highest demand for reliable operation, minimum of service, and easy to operate. Equipped with exhaust silencer and insulated housing for low noise emission. Safety devices for overheating, max vacuum and motor over load is standard. Easy to transport/install with built-in holders for forklift.

APPLICATIONS

For use in any industrial application where reliable and rigid units are requested for creation of high vacuum and large air volume. PES 101 is designed for stationary installation, and can be used for both indoor and out door operation.

TYPICAL USERS

Manufacturers of Cement, Lime, Gypsum, Tiles, Ceramics, Chemicals, Plastics, Fertilizers and Alumina. Foundries, Steel mills, Quarries, Mines, Pulp- and Paper Industry, Incineration Plants, Thermo-electric Power Plants, Painting Contractors/Shipyards, Cleaning Contractors....



Vacuum Unit PES-101

UNIT COMPONENTS

The main components of the PES-101 units are the Roots type vacuum pump and the electrical drive motor. Power from the electrical motor to the vacuum pump is transferred by a V-belt system. Inside the rigid and insulated steel housing, are also installed silencer, safety filter, safety vacuum valve and control sensors.

CONTROLS

Electrical panel for start/stop and control of the unit is placed outside of the housing. The front of the panel is equipped with push buttons for operation, indication lamps for operation mode / alarm, indication gauge for vacuum level and emergency stop.

The controls also compromise the equipment for ATM filter cleaning, or if selected the Jet-pulse filter cleaning.

Any selection of automatically discharge system for filter separator is also built into the controls, as well as surveying systems for; motor overload, overheating vacuum pump, level control for filter separator, timer stop or vacuum timer stop of the unit. If fault indication from any of these system, unit will stop and fault indication will light up.

Sum alarm will be activated simultaneously.

MISCELLANEOUS

Filter class: F7 EN 1822
Hose connection: 152 mm
Material: Steel S 235 JG2
Painting: System C2, RAL 3003 red

OPTIONS

- DP-Switch
- DP-Gauge
- Line (Circuit) Breaker
- Pre Designed for Level Control
- Pre Designed for Remote Control 24V
- Pre Designed for Repulse Cleaning
- Pre Designed for Sluice Discharge Handling
- Radio Remote Control
- Star-Delta-Starter
- Temp. Switch Motor
- Timer Auto Stop
- Vacuum Timer Stop
- V-Belt Cover
- Ventilator Cooling

Item/Model		PES-101.30	PES-101.37	PES-101.45
Dimensions, mm	A	1680	1680	1680
	B	1180	1180	1180
	C	1480	1480	1480
	D	1490	1490	1490
Weight, kg (approx)		1570	1670	1750
Max Vacuum, mbar		500	500	500
Air Volume m ³ /h (unloaded)		1850	2240	2620
Electrical Motor, kW		30	37	45
Voltage Frequency, V/Hz		400/50	400/50	400/50
Safety Filter Surface, m ²		10	10	10
Noise Level dB(A) (at 5 m distance)		65	67	67
Hose Pipe Connection, dia.mm		152	152	152
Layout		SD-10017	SD-10017	SD-10017

We reserve the right to alter any specifications without prior notice

Manufacturer:

DISAB-TELLA AB
Cedersdalsvägen 1
SE-186 40 Vallentuna
Sweden

Tel: +46 (0) 8 514 505 70
Fax: +46 (0) 8 511 754 66
E-mail: industrial@disab.com
www.disab.com

Distributor: