

## DISAB Engineered Vacuum Systems



*The PES 7 unit shall always be connected to a filter separator to complete a vacuum system*

## Vacuum Unit PES-7

***The PES Vacuum units meet the high demands from the industry due to its efficiency, reliability, ease of operation and maintenance giving excellent value for money.***

The PES 7 units are a series of free standing vacuum units, to be used in conjunction with any type of filter separator. PES creates the vacuum and air volume needed for conveyance transport of bulk material or vacuum cleaning operation.

- Electrically powered vacuum pump of Roots type
- Designed for high vacuum systems (50-80%)
- As standard equipped with safety filter
- Temperature control and safety valve
- Rigid steel construction and insulated housing
- Complete electrical panel for start/stop and controls
- Low noise operation

### OPERATION

All PES 7 units are designed for, and shall always be used together with a filter separator. Vacuumed material shall not reach the PES unit but be collected and filtered in suitable model of filter separator, depending on material to be transported. The benefit of this separate vacuum unit is it can be used in conjunction with any type of filter separator. Connection to filter separator is made through a flexible hose or a fixed steel pipe.

The unit is delivered with an electrical panel comprising all controls for start/stop and operation of the unit, as well as controls for selected filter separator, i.e. filter cleaning, discharging, etc.

### FEATURES

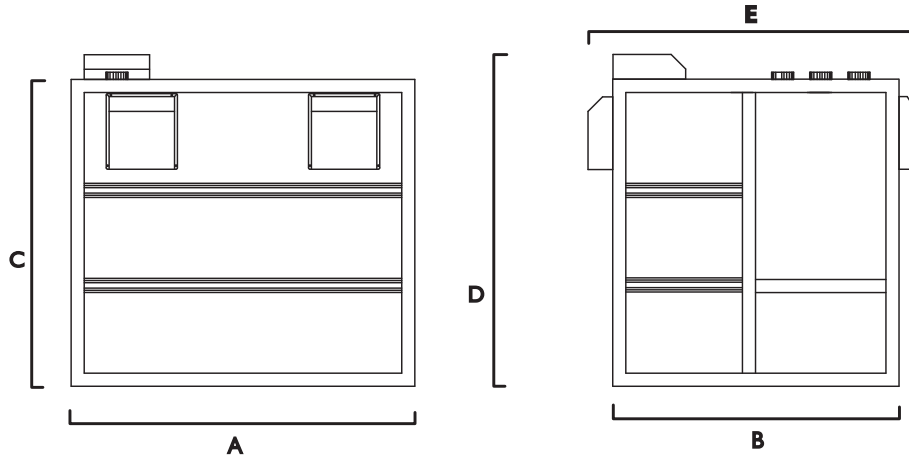
Highest demand for reliable operation, minimum of service, and easy to operate. Equipped with exhaust silencer and insulated housing for low noise emission. Safety devices for; overheating, max vacuum and motor over load is standard. Easy to transport/install with built-in holders for forklift.

### APPLICATION

For use in any industrial application where reliable and rigid units are requested for creation of high vacuum and large air volume. PES 7 is designed for stationary installation, and can be used for both indoor and outdoor operation.

### TYPICAL USERS

Manufacturers of Cement, Lime, Gypsum, Tiles, Ceramics, Chemicals, Plastics, Fertilizers and Alumina. Foundries, Steel mills, Quarries, Mines, Pulp- and Paper Industry, Incineration Plants, Thermo-electric Power Plants, Painting Contractors/Shipyards, Cleaning Contractors....



## Vacuum Unit PES-7

### UNIT COMPONENTS

The main components of the PES-7 units are the vacuum pump and the electrical drive motor. Power from the electrical motor to the vacuum pump is transferred by a V-belt system. Inside the rigid and insulated steel housing, are also installed silencer, safety filter, safety vacuum valve and control sensors.

### CONTROLS

Electrical panel for start/stop and control of the unit is placed outside of the housing. The front of the panel is equipped with push buttons for operation, indication lamps for operation mode / alarm, indication gauge for vacuum level and emergency stop.

The controls also compromise the equipment for ATM filter cleaning, or if selected the Jet-pulse filter cleaning.

Any selection of automatically discharge system for filter separator is also built into the controls, as well as surveying systems for; motor overload, overheating vacuum pump, level control for filter separator, timer stop or vacuum timer stop of the unit. If fault indication from any of these system, unit will stop and fault indication will light up. Sum alarm will be activated simultaneously.

### MISCELLANEOUS

Filter class: F7 EN1822  
 Hose connection: 3 x 152 mm  
 Material: Steel S 235 JG2  
 Painting: System C2, RAL 3003 red

### OPTIONS

- DP-Switch
- DP-Gauge
- Pre Designed for Level Control
- Pre Designed for Remote Control 24V
- Pre Designed for Repulse Cleaning
- Pre Designed for Sluice Discharge Handling
- Radio Remote Control
- Star-Delta-Starter
- Temp. Switch Motor
- Timer Auto Stop
- Vacuum Timer Stop
- V-Belt Cover
- Ventilator Cooling

| Item/Model                              |   | PES-7.110 | PES-7.130 | PES-7.160 |
|---|---|-----------|-----------|-----------|
| Dimension. mm                           | A | 2365      | 2365      | 2365      |
|   | B | 1970      | 1970      | 1970      |
|   | C | 2110      | 2110      | 2110      |
|   | D | 2280      | 2280      | 2280      |
|   | E | 2340      | 2340      | 2340      |
| Weight, kg (approx)                     |   | 4100      | 4670      | 4800      |
| Max Vacuum, mbar                        |   | 800       | 800       | 800       |
| Air Volume m <sup>3</sup> /h (unloaded) |   | 3906      | 5230      | 6170      |
| Electrical motor, kW                    |   | 110       | 130       | 160       |
| Voltage Frequency, V/Hz                 |   | 400/50    | 400/50    | 400/50    |
| Safety filter surface, m <sup>2</sup>   |   | 30        | 30        | 30        |
| Noise Level dB(A) (at 5 m distance)     |   | 80        | 89        |           |
| Hose Pipe Connection, dia. mm           |   | 3x152     | 3x152     | 3x152     |
| Layout                                  |   | SD10040   | S-10040   | SD-10040  |

We reserve the right to alter any specifications without prior notice

#### Manufacturer:

**DISAB-TELLA AB**  
 Cedersdalsvägen 1  
 SE-186 40 Vallentuna  
 Sweden

Tel: +46 (0) 8 514 505 70  
 Fax: +46 (0) 8 511 754 66  
 E-mail: industrial@disab.com  
 www.disab.com

#### Distributor: