



Vacuum Truck SDC 200

The SDC 200, with its 220 kW suction power meets the industry's high demands on efficiency, reliability, ease of use and maintenance.

The SDC 200 is an optimum tool to handle all types of material. The square box design is most suitable for dry material. It is designed to operate as a stand alone vacuum loader for work with 6" hoses but can equally well operate as a central vacuum unit connected to a fixed tube system, facilitating multi-inlet cleaning. Truck engine power supply optimizes load capacity as well as economy of operation. The unit features

- Sturdy design
- Efficient high vacuum pump (>90% vacuum)
- Filter system with air chock filter cleaning
- 220 kW, 8100 m³/h suction capacity
- On board storage of hoses, pipes and tools
- Hydraulically operated tailgate, tailgate lock and tipping
- Tool box

The unit is designed for the industrial environment and is easy to use for the operator. Safety at work and low maintenance cost are features included in our philosophy.

The truck, Volvo FM 410 is a modern truck with a EURO 6 engine. The day cab together with the short wheelbase of 4600 mm add to a compact unit easy to manoeuvre. The 9 tonne front axle and 19 tonne bogie paired with the DISAB design provide an optimised loading capacity.

Operation

The suction unit is powered via a well reputed power transmission. Suction power is regulated on the units controls by adjusting the RPM of the truck.

The material is normally sucked via 6" hoses through an 8" cyclone inlet. (Or hose boom, option). Sucked material is separated from the air stream in several steps. First in the cyclone, secondly through "fall chamber" principle in the container, thirdly in the filter compartment and finally in the safety filters.

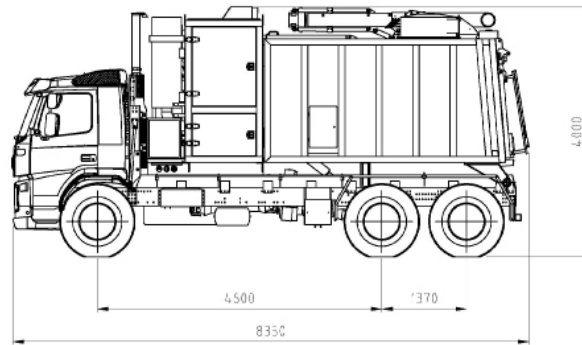
The filling of our 10 m³ container can continue until stopped by an automatic level guard. The fine dust, collected by the filters, is kept in a separate compartment.

Unloading is done by hydraulic tipping, supported by vibrators (optional). While tipping, the filter chamber can be emptied through pneumatic opening of the filter hatch.

Applications

Literally anything, fitting into the 6" hose, can be sucked and transported into the container. Volumes sucked vary with material, distance to vacuum unit and operator. As guidance, 10 m³ of cement at a 20 meter distance would be collected within 20-25 minutes. Within reason, the capacity is independent of height differences. Our units are used by manufacturers of cement, lime, chemicals, plastics etc. Foundries, steel mills, quarries, pulp and paper, incineration plants, shipyards and power plants are other examples of users.

Technical changes without notice



Technical data

Vacuum pump	Kaeser Omega 83PV
Max. vacuum	-950 mbar
Air volume, unloaded	8100 m ³ /h
Air volume (-500mbar)	7300 m ³ /h
Operating speed	1450-2700 rpm
Power	220 kW
Power Transmission	Make OMSI
Main filter system	2x35 galvanized cages with filter socks in needled polyester -glazed surface, area 26m ²
Safety filter system	2 filter cartridges 34 m ² located in the machine house
Tank	Gross volume 10 m ³
Tailgate	Hydraulically operated and locked
Tipping system	Hydraulic front cylinder, double acting system (>50°)
Level guard	Dry

Options

- Hose boom
- Vibrators
- ATEX-solution

Truck VOLVO FM410 6x2

- Day cab
- Euro 6 engine
- 9 tonne front axle
- 19 tonne bogie
- Rear air suspension

Optional

- Reversing alarm
- Steering third axle

Weight:

- Approximate weight of the complete unit 19.400 kg
- Chassis alone 10.000 kg
- Pay-load capacity (maximum) 8.500 kg