



*This unit is equipped with options*

## VACTURION DL10

**The DL10, with its 220 kW suction power meets the industry's high demands on efficiency, reliability, ease of use and maintenance.**

The **VACTURION DL10** is an optimum tool to handle both dry and wet material. The round tank design provides excellent performance also for liquid material. Designed to operate as a stand alone vacuum loader for work with 6" hoses but can equally well operate as a central vacuum unit connected to a fixed tube system, facilitating multi-inlet cleaning. Truck engine power supply optimises load capacity as well as economy of operation. The unit features

- Sturdy design
- Efficient high vacuum pump (>90% vacuum)
- Filter system for dry & wet material with air shock filter cleaning.
- 220 kW, 8100 m<sup>3</sup>/h suction capacity
- On board storage of hoses, pipes and tools
- Hydraulically operated tailgate, tailgate lock and tipping

The unit is designed for the industrial environment and is easy to use for the operator. Safety at work and low maintenance cost are features included in our philosophy.

**The truck**, supplied by customer must have the approval of the DISAB Technical Department. A day cab solution together with the short wheelbase of 4600 mm add to a compact unit easy to manoeuvre. A 9 tonne front axle and 19 tonne boggy paired with the DISAB design provide optimised loading capacity.

### Operation

The suction unit is powered via a well reputed power transmission. Suction power is regulated on the units controls by adjusting the RPM of the truck.

The material is sucked through a 6" hose, accessible at the rear of the machine, via an 8" inlet to an inlet box. (Or hose boom, option). Sucked material is separated from the air stream in several steps. First through "fall chamber" principle in the container, secondly in the filter compartment and finally in the safety filters.

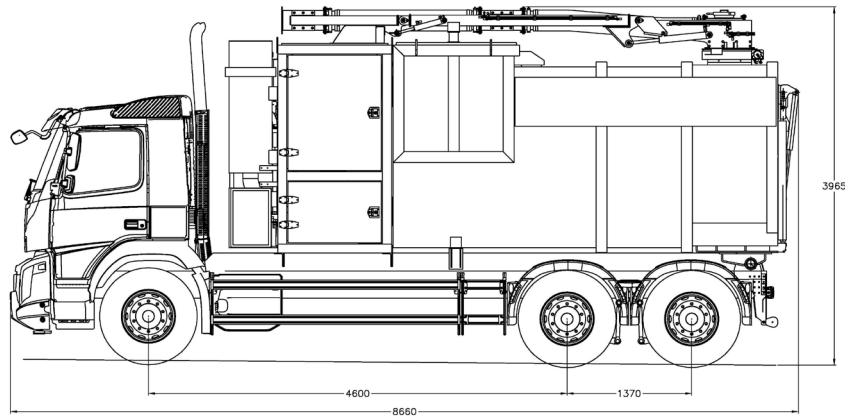
The filling of our 9 m<sup>3</sup> container can continue until stopped by an automatic level guard. The fine dust, collected by the filters, is kept in a separate compartment.

Unloading is done by hydraulic tipping, supported by vibrators (optional). While tipping, the filter chamber can be emptied through pneumatic opening of the filter hatch.

### Applications

Literally anything, dry or wet, fitting into the 6" hose, can be sucked and transported into the container. Volumes sucked vary with material, distance to vacuum unit and operator. As guidance, 10 m<sup>3</sup> of cement at a 20 meter distance would be collected within 20-25 minutes. Within reason, the capacity is independent of height differences. Our units are used by manufacturers of cement, lime, chemicals, plastics etc. Foundries, steel mills, quarries, pulp and paper, incineration plants, shipyards and power plants are other examples of users.

*Technical changes without notice*



## VACTURION DL10

### Technical data

Vacuum pump	Kaeser Omega 83PV
Max. vacuum	-950 mbar
Air volume, unloaded	8100 m <sup>3</sup> /h
Air volume (-500mbar)	7300 m <sup>3</sup> /h
Operating speed	1450-2700 rpm
Power	220 kW
Power Transmission	Make OMSI
Main filter system	2x35 galvanized cages with filter socks in needled polyester -glazed surface, area 26m <sup>2</sup>
Safety filter system	2 filter cartridges 34 m <sup>2</sup> located in the machine house
Tank	Gross volume 9 m <sup>3</sup>
Tailgate	Hydraulically operated and locked
Tipping system	Hydraulic front cylinder, double acting system (>50°)
Level guards	Wet and dry level guards

### Options

- Hose boom
- Vibrators
- Drain valve 6"
- Sign boards

### Weight:

- Approximate weight of the complete unit 19.500 kg (without options)
- Chassis alone 10.000 kg
- Payload capacity (maximum) 8.500 kg